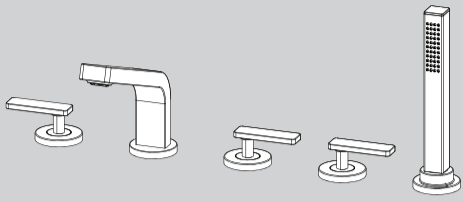


INSTRUCTIONS FOR MODELS

SB-2731



NEED HELP?

For additional assistance or service please contact:

SPEAKMAN®

800-537-2107

customerservice@speakman.com

www.speakman.com

92-SB-2731-02

TOOLS AND SUPPLIES

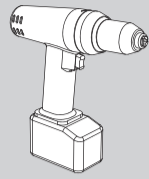
Slip Joint Wrench



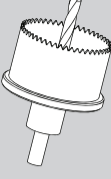
Thread Seal Tape



Drill



Hole Saw



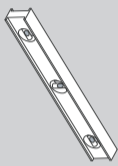
Supply Hoses



2.5mm Hex Key Wrench (Included)



Level



Adjustable Wrench

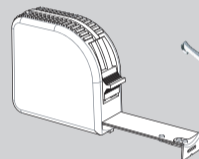


Aerator Wrench (included)



HELPFUL TOOLS & SUPPLIES:

Measuring Tape



Safety Glasses



IMPORTANT



SAFETY TIPS

- Be sure to read instructions thoroughly before beginning installation.
- Cover the installation area(s) as deemed necessary to prevent any loss of parts.

MAINTENANCE

Your new Speakman Product is designed for years of trouble-free performance. Keep it looking new by cleaning it periodically with a soft cloth. The use of harsh chemicals and abrasives on any of the Speakman custom finish products may damage the finish and void the product warranty. Please be sure to only use approved cleaners. Please contact Speakman for any clarification of acceptable cleaners.

WARRANTY

Warranty information can be found at: www.speakman.com



IMPORTANT



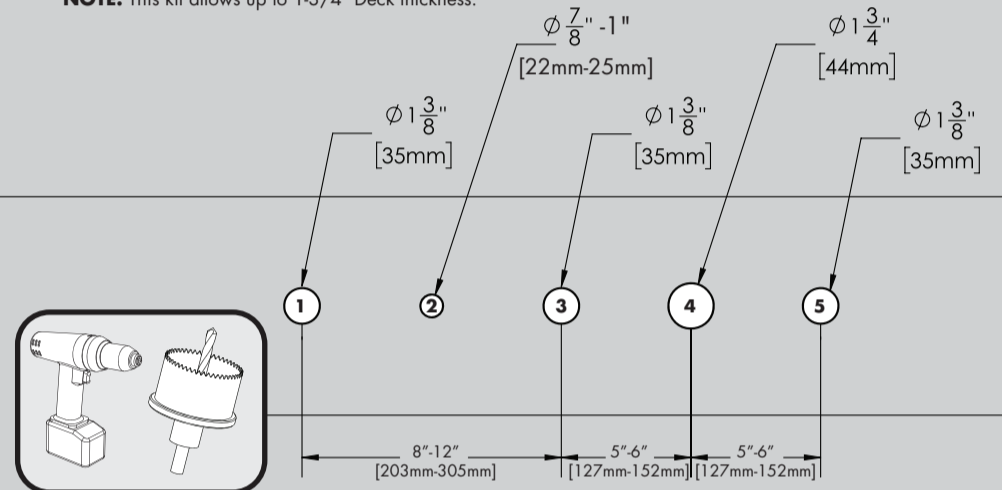
- Do not over-tighten any connections or damage may occur.
- Shut off the water supply before beginning installation.
- This installation manual covers several models. While your models may look different, it will install in the same manner.
- This Faucet has an operating range of 20-80 psi.
- **CAUTION:** Risk of personal injury. Do not use the bath filler as a grab bar or support bar when entering or exiting the bath. The bath filler is not designed to support weight.
- Observe all local plumbing and building codes.
- Use appropriate drill bits for wood and/or other materials.

SITE PREPARATION

1

- Shut-off the Water supply.
- Drill Holes in the finished Deck as shown in the diagram below.

NOTE: This kit allows up to 1-3/4" Deck thickness.

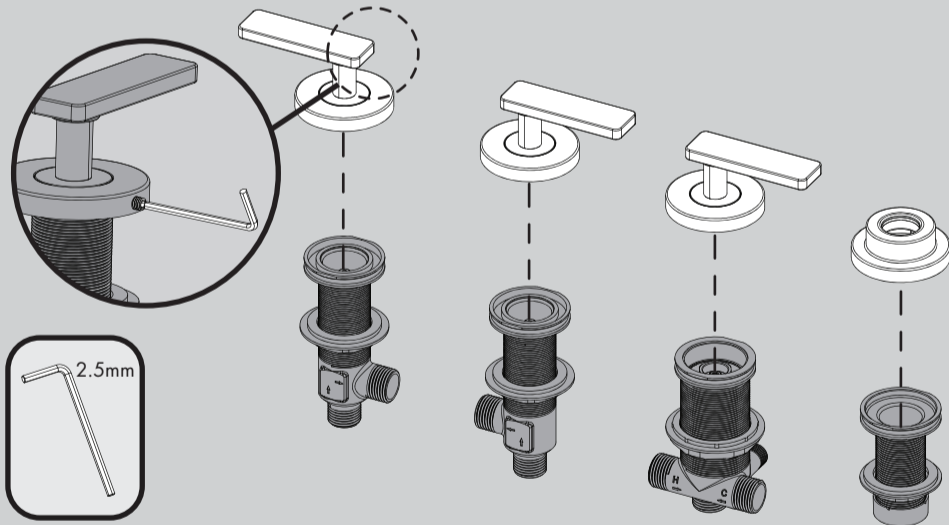


CAUTION: Always turn off the water supply before removing an existing faucet or replacing any part of a faucet. Open the faucet handle to relieve water pressure and ensure that the water is completely shut off.

REMOVE HANDLE AND FLANGE ASSEMBLIES

2

Loosen, but do not remove, the Set Screws using the included Hex Key Wrench. Remove Handle and Flange assemblies and put aside for later use.

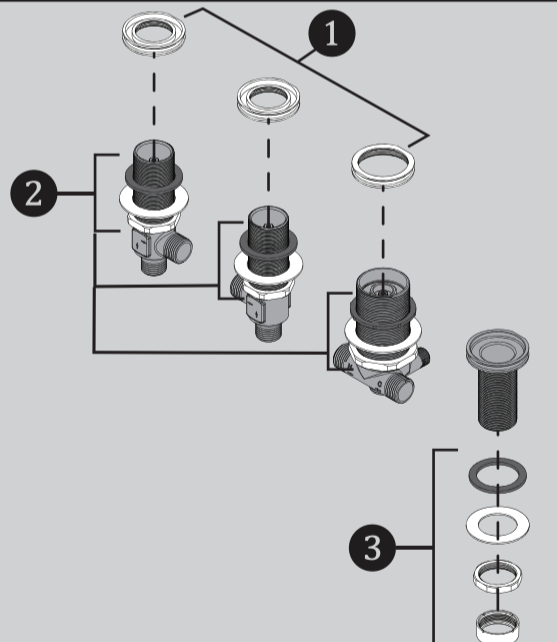


NOTE: HOT Endbody is clearly marked to identify for future steps.

REMOVE MOUNTING COLLARS

3

- 1 Unthread and remove the Mounting Collars from the HOT and COLD Endbodies, as well as the Diverter Valve Body.
- 2 Ensure that the Mounting Nuts, Metal Washers, and Rubber Washers are threaded down to the base of the HOT and COLD Endbodies, as well as the Diverter Valve Body.
- 3 Remove the Sleeve, Mounting Nut, Metal Washer, and Rubber Washer from the Hand Shower Support.

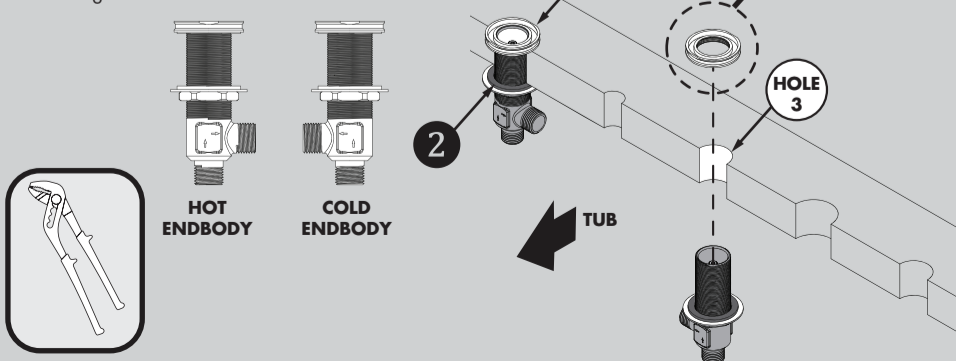


HOT/COLD VALVE BODY INSTALLATION

4

From below, insert the HOT Endbody through Hole 1.

- 1 Reinstall the Mounting Collar and secure into position using a Slip Joint Wrench on the flats of the Mounting Collar.
 - 2 Hand tighten the Mounting Nut, Metal Washer, and Rubber Washer into position. Do not wrench tighten at this time.
- Repeat process for the COLD Endbody into Hole 3.
 - Align Endbodies as shown below.

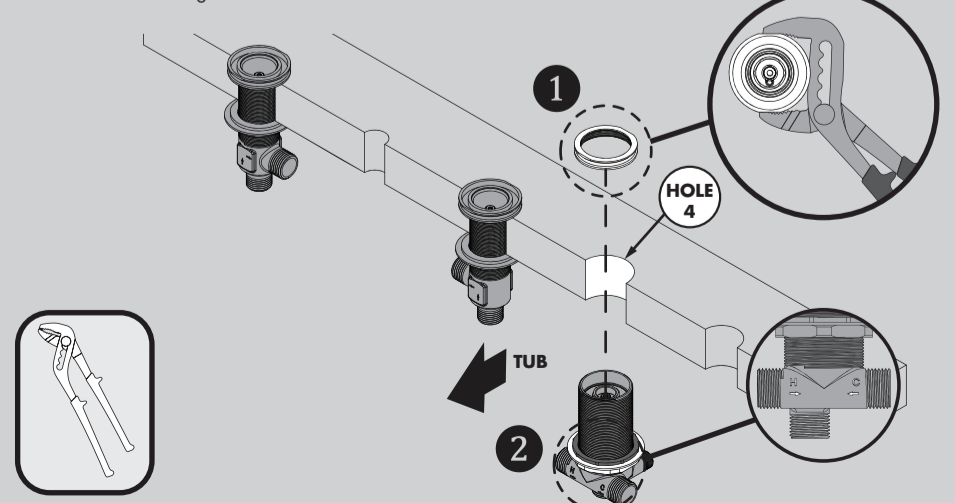


DIVERTER VALVE BODY INSTALLATION

5

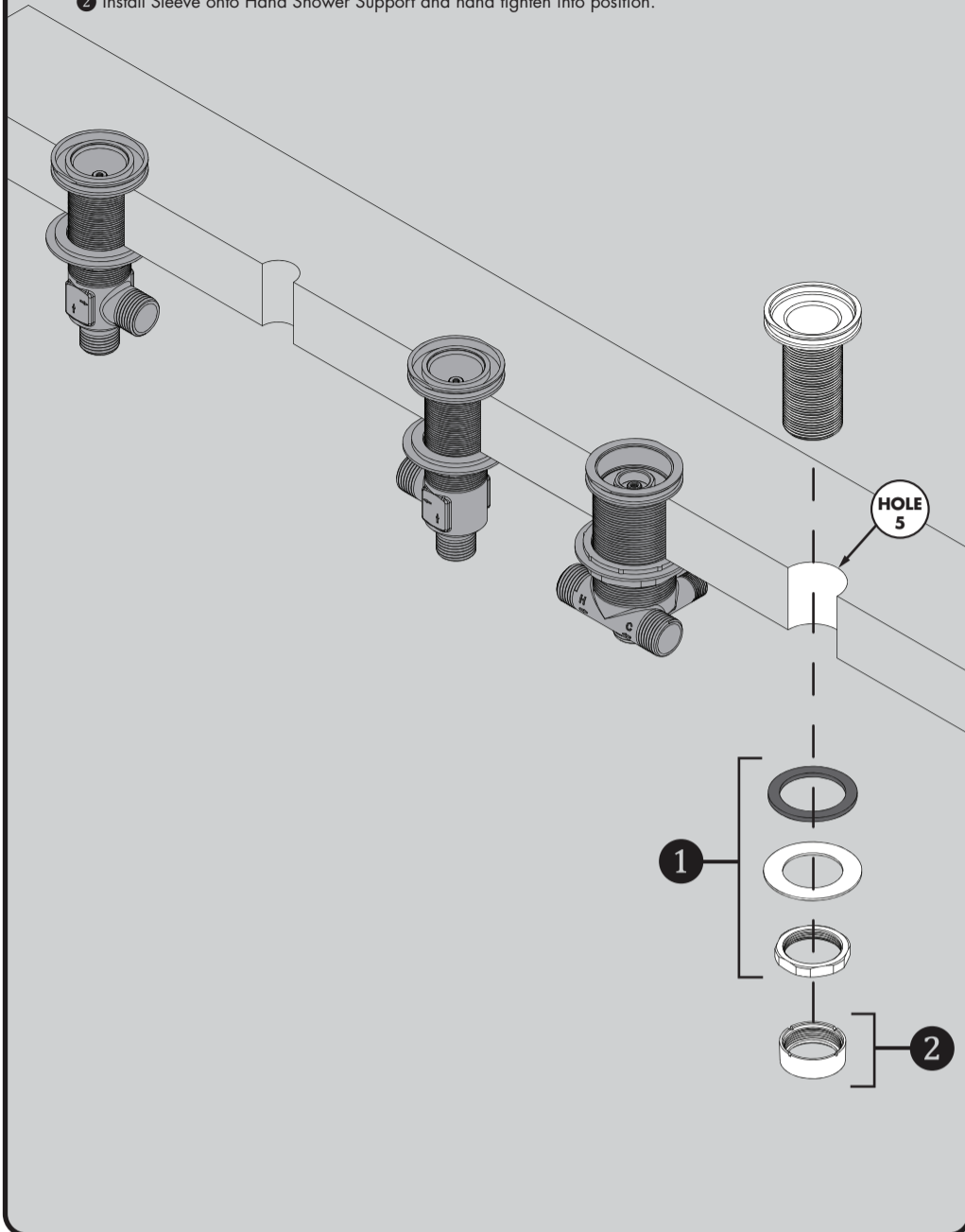
From below, insert the Diverter Valve Body through Hole 4. Reinstall Mounting Collar and secure into position using a Slip Joint Wrench.

- Align Diverter Valve Body so that the "H" and "C" markings are facing towards the Tub.
- 2 Hand tighten the Mounting Nut, Metal Washer, and Rubber Washer into position. Do not wrench tighten at this time.



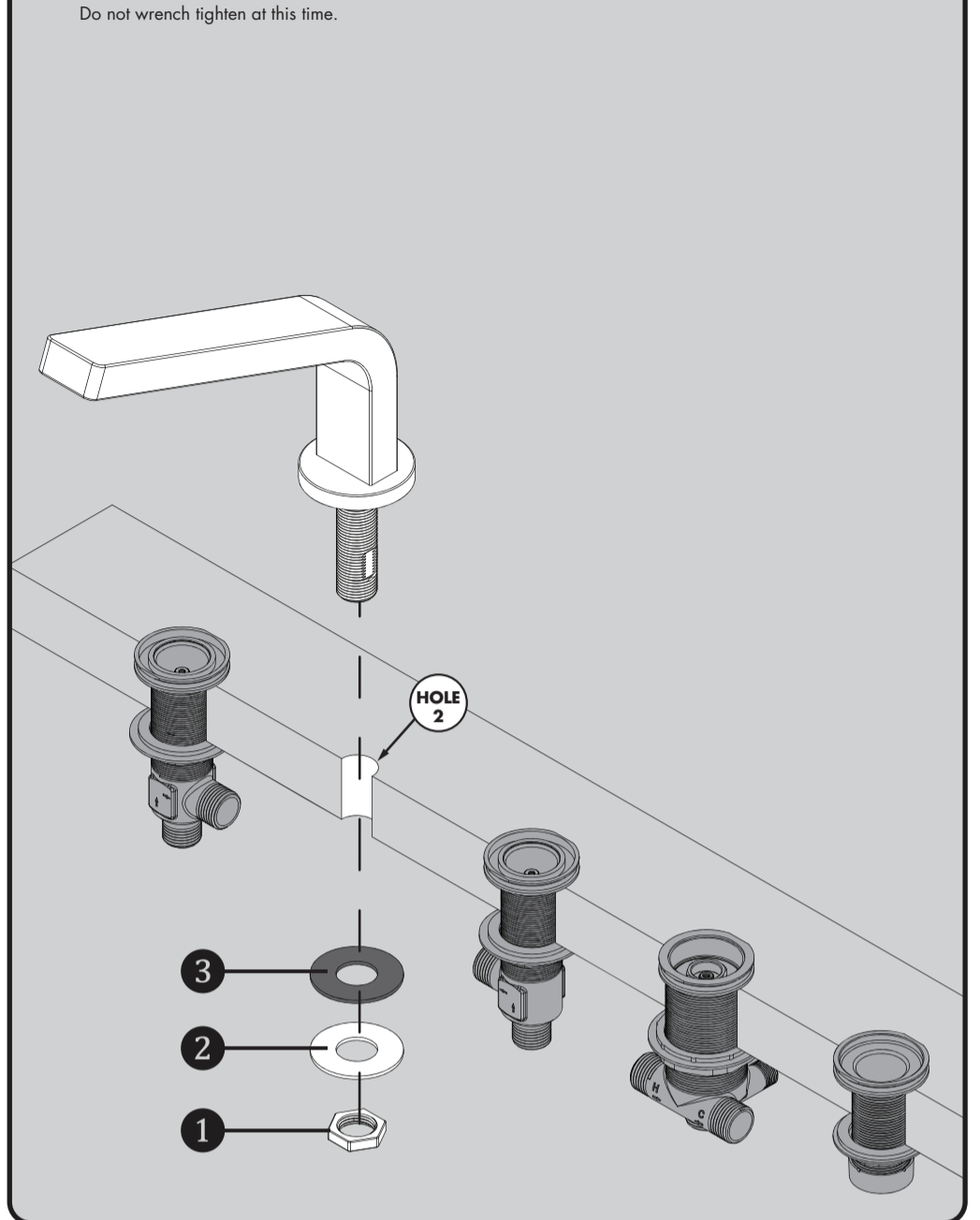
HAND SHOWER SUPPORT INSTALLATION

- 6**
- From above, insert the Hand Shower Support into **Hole 5**. Secure into position using the Rubber Washer, Metal Washer, and Mounting Nut. Hand tighten the Mounting Nut into position. Do not wrench tighten at this time.
 - Install Sleeve onto Hand Shower Support and hand tighten into position.



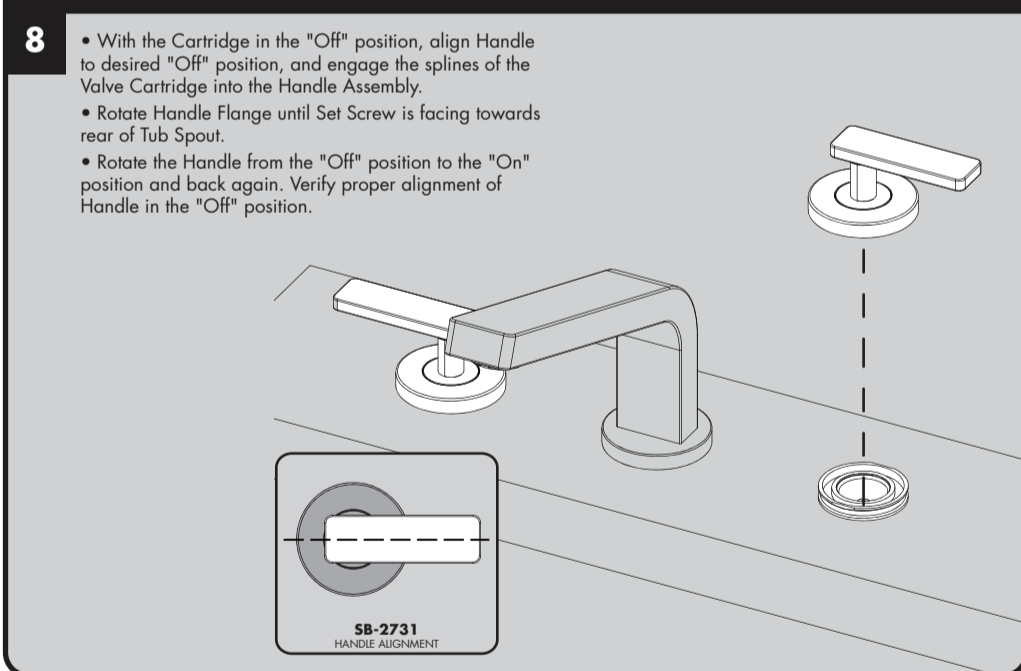
SPOUT INSTALLATION

- 7**
- Remove the pre-assembled Mounting Nut (1), Metal Washer (2), and Rubber Washer (3) from the Spout Assembly.
 - Insert the Spout Assembly from above through **Hole 2**.
 - Reinstall the Rubber Washer, Metal Washer, and Mounting Nut. Hand tighten the Mounting Nut into position. Do not wrench tighten at this time.



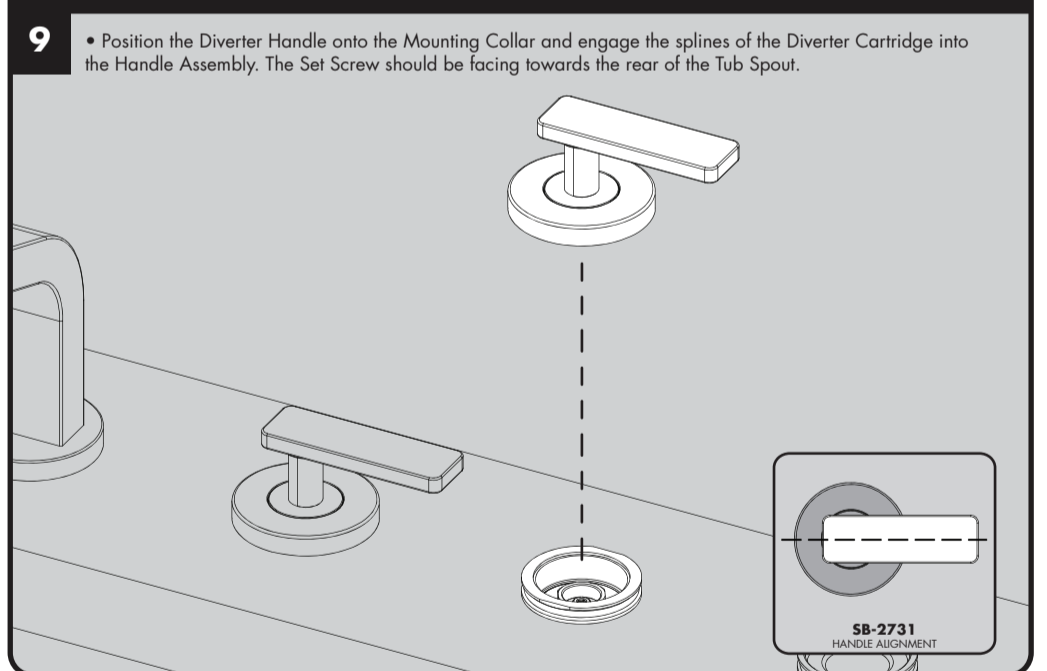
HOT/COLD HANDLE INSTALLATION

- 8**
- With the Cartridge in the "Off" position, align Handle to desired "Off" position, and engage the splines of the Valve Cartridge into the Handle Assembly.
 - Rotate Handle Flange until Set Screw is facing towards rear of Tub Spout.
 - Rotate the Handle from the "Off" position to the "On" position and back again. Verify proper alignment of Handle in the "Off" position.



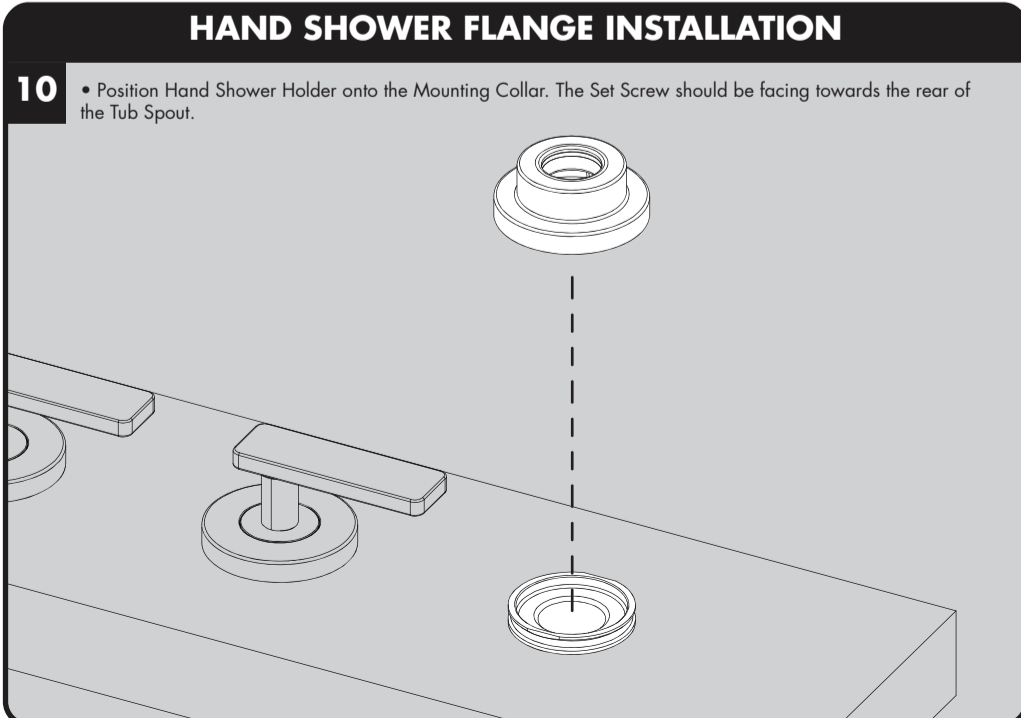
DIVERTER HANDLE INSTALLATION

- 9**
- Position the Diverter Handle onto the Mounting Collar and engage the splines of the Diverter Cartridge into the Handle Assembly. The Set Screw should be facing towards the rear of the Tub Spout.



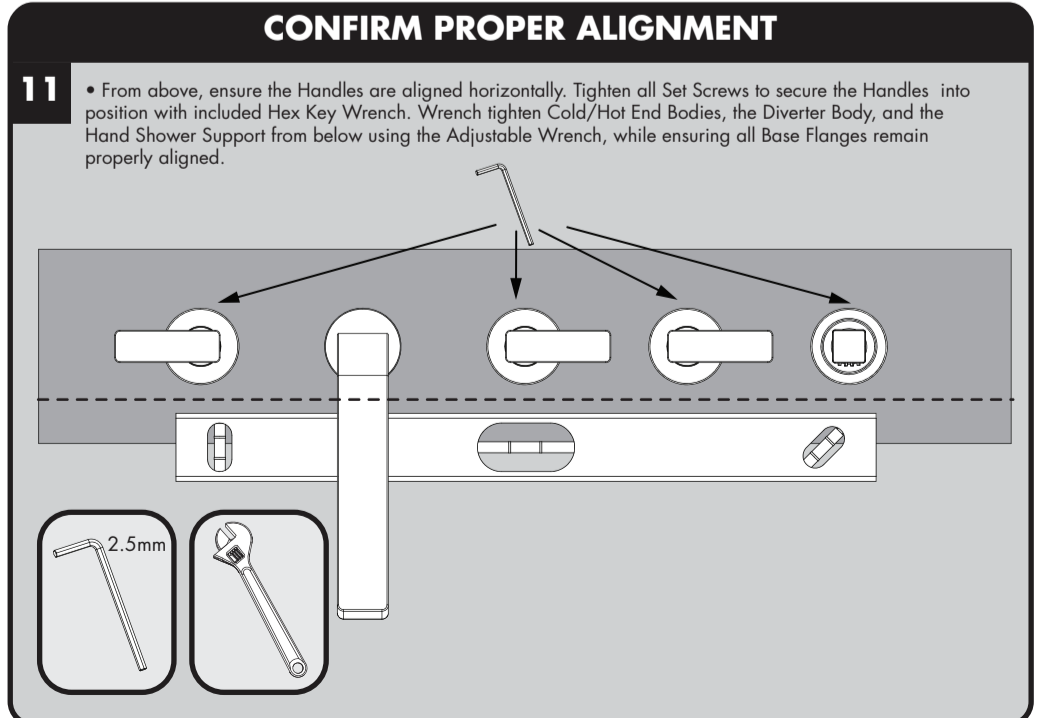
HAND SHOWER FLANGE INSTALLATION

- 10**
- Position Hand Shower Holder onto the Mounting Collar. The Set Screw should be facing towards the rear of the Tub Spout.



CONFIRM PROPER ALIGNMENT

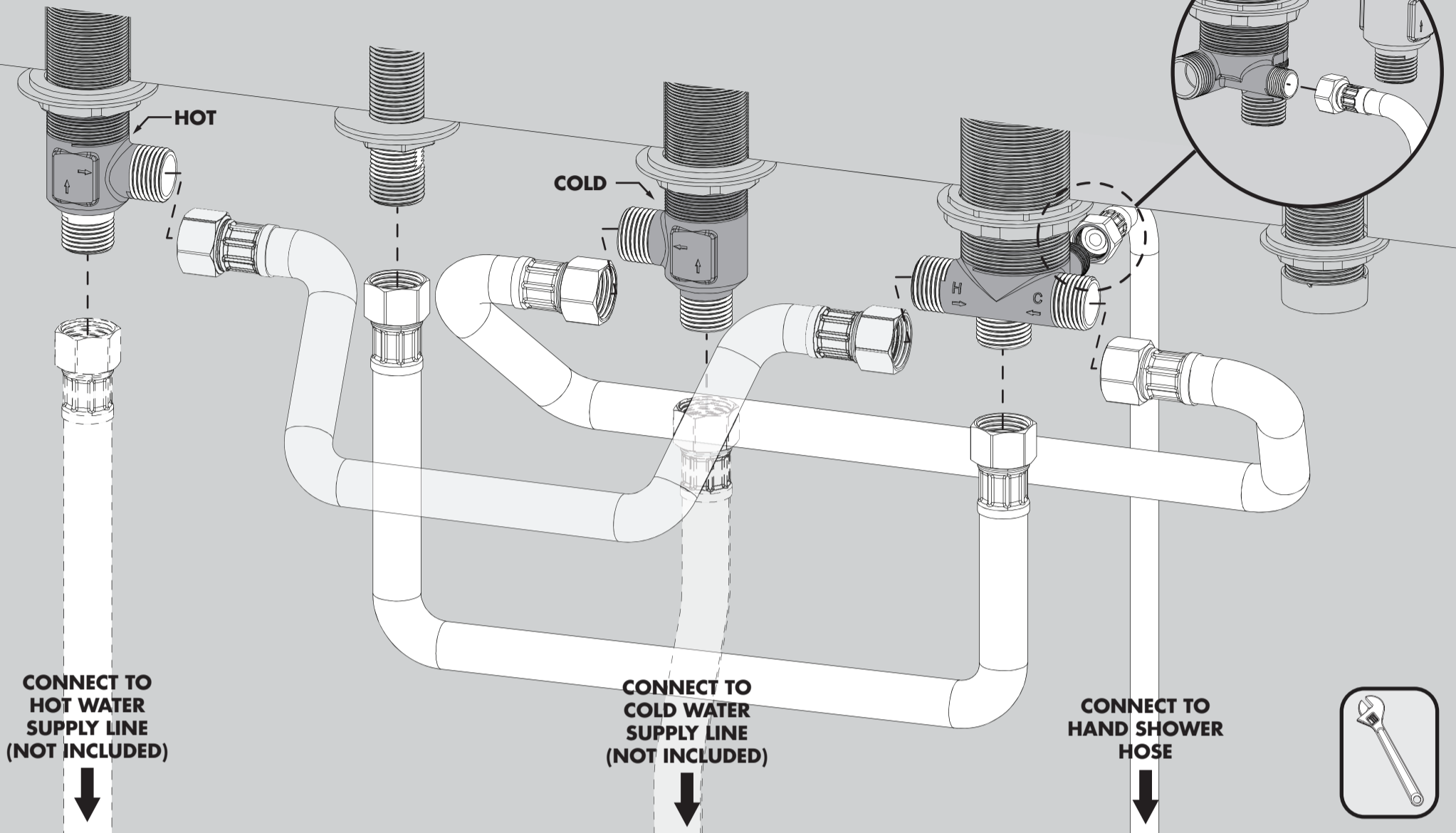
- 11**
- From above, ensure the Handles are aligned horizontally. Tighten all Set Screws to secure the Handles into position with included Hex Key Wrench. Wrench tighten Cold/Hot End Bodies, the Diverter Body, and the Hand Shower Support from below using the Adjustable Wrench, while ensuring all Base Flanges remain properly aligned.



WATER SUPPLY CONNECTIONS

12

- Use 2 of the larger diameter hoses provided to make connections from the Endbody Outlets to the Diverter Inlets as shown. Hot to H, Cold to C.
- Use the remaining larger diameter hose provided to make a connection from the Lower Diverter Outlet to the Spout Inlet as shown.
- Connect the smaller diameter hose provided to the rear outlet of the Diverter as shown.
- Make Supply Line connections as shown. **NOTE:** Supply Line Hoses are not included.
- Wrench tighten all Hose connections. **NOTE:** Installer may slightly loosen the End Bodies and/or the Diverter Body in case of any difficulty in Wrench tightening of Hose connections.
- Repeat **STEP 11** to ensure that the Flanges and Handles are properly aligned.

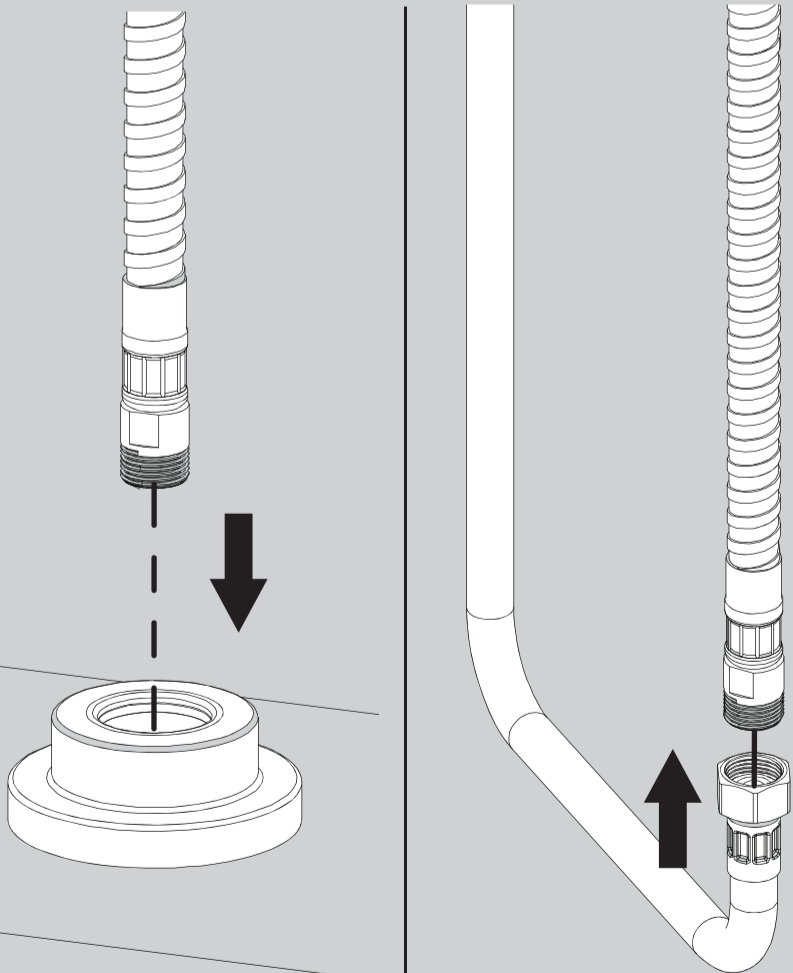


NOTE: Supply Lines are not included.

HAND SHOWER HOSE INSTALLATION

13

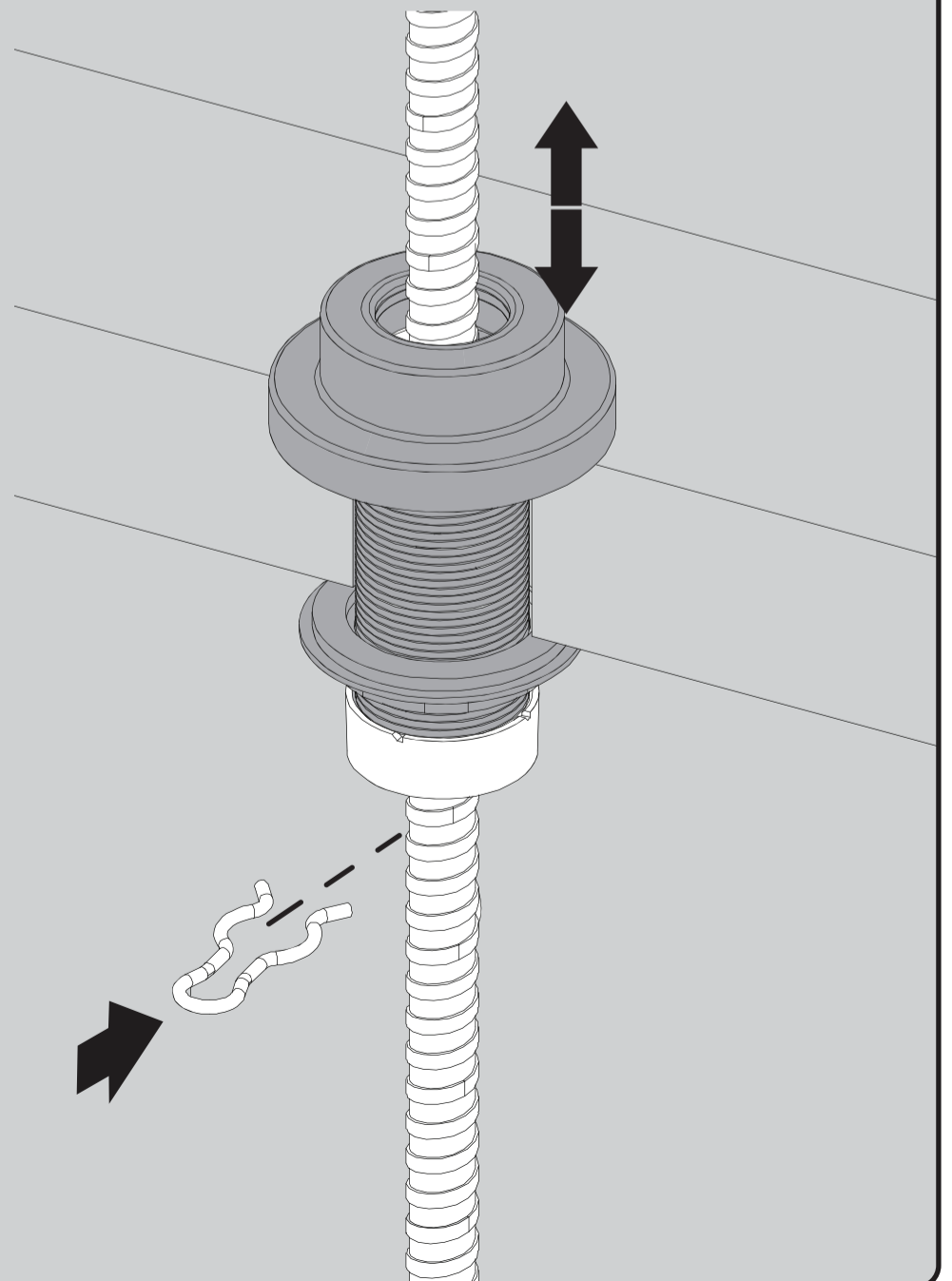
- Place the threaded end of the Hand Shower Hose through the Mounting Collar.
- Install threaded end of Hand Shower Hose to the Hose exiting from the rear port of the Diverter Valve. Wrench Tighten.



HAND SHOWER HOSE CLIP INSTALLATION

14

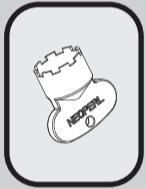
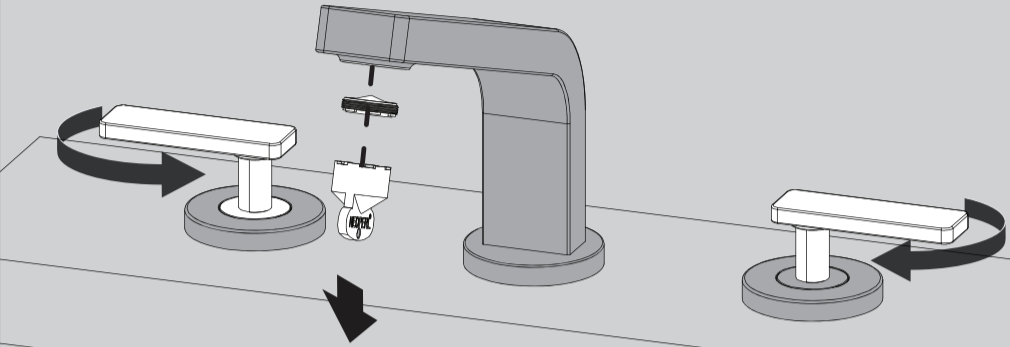
- Determine the desired extended length of Hand Shower Hose while in use. From below install the Clip to the Hand Shower Hose so that it will make contact with the Sleeve when extended length is reached.



CONFIRM PROPER INSTALLATION

15

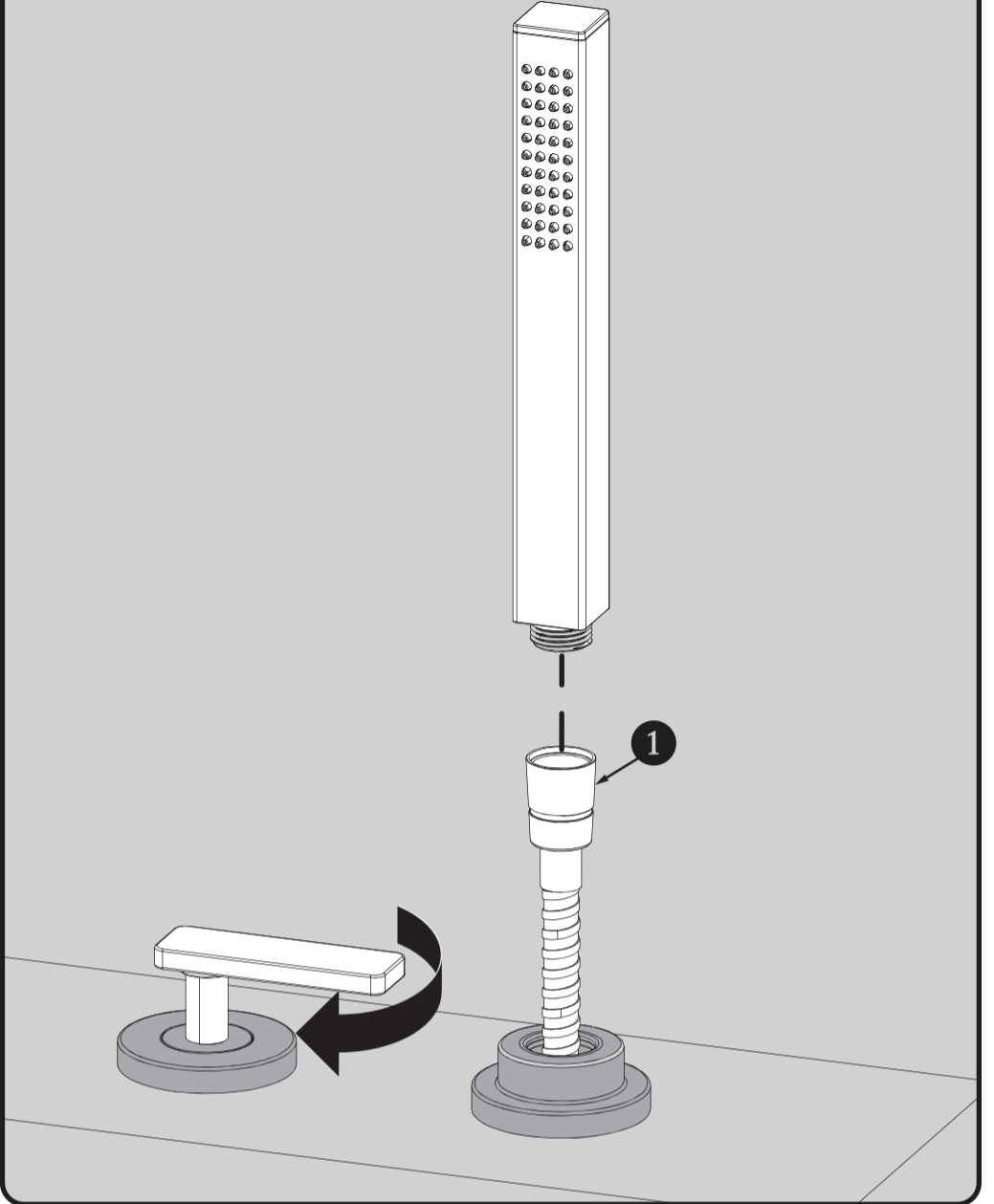
- Ensure the Faucet Handles are in the OFF position. Turn ON the Cold and Hot Water Supplies and check for leaks. If you discover any leaks, check your connections to ensure they are installed properly.
- Remove the Aerator with the included Aerator Wrench.
- Turn the Cold Handle and Hot Handle to allow the water to run through the Spout for at least one minute.
- While the Water is running check for any leaks.
- Turn OFF the Cold and Hot Handles and reinstall the Aerator. Tighten with the included Aerator Wrench.



CONFIRM PROPER INSTALLATION

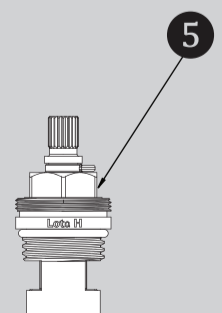
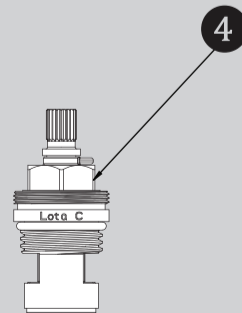
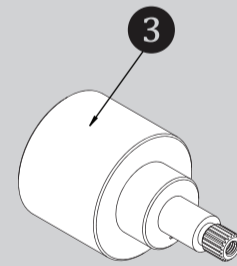
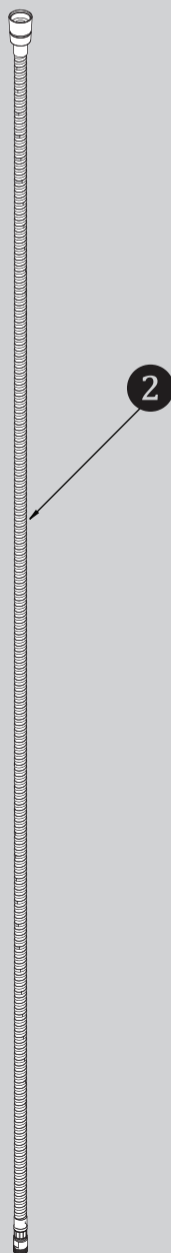
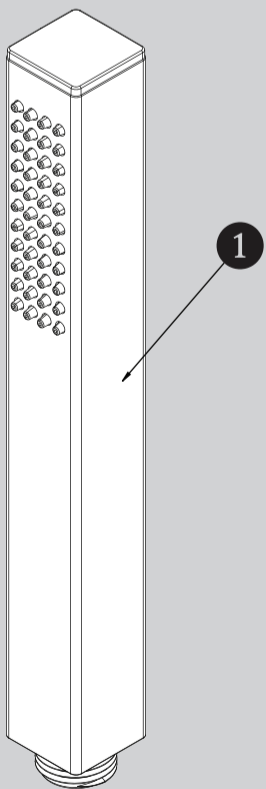
16

- Point the Coupling end of the Hand Shower Hose (1) into the Bathtub/Drain. Turn ON Hot and Cold Handles, and rotate the Diverter Handle clockwise to allow the Water to run for at least one minute from the Flexible Hose into the Bathtub Drain.
- While the Water is running through the Flexible Hose check for any leaks.
- Turn OFF the Cold and Hot Handles and install the Hand Shower Wand to the Hand Shower Hose. Hand Tighten until a leak free connection is established.



SB-2731 REPAIR PARTS

SPEAKMAN®



| ITEM NO. | PART NO. | DESCRIPTION |
|----------|---------------------------------|-------------------------------------|
| 1 | RPG05-105666-XX-E15 (XX=FINISH) | HANDHELD REPAIR GROUP |
| 2 | RPG63-113138-XX (XX=FINISH) | HOSE REPAIR GROUP |
| 3 | RPG05-113161 | DIVERTER CARTRIDGE REPAIR GROUP |
| 4 | RPG05-113169 | 1/4-TURN CARTRIDGE (C) REPAIR GROUP |
| 5 | RPG05-113179 | 1/4-TURN CARTRIDGE (H) REPAIR GROUP |

NOTES:

COMPLIANCE:

ASME A112.18.1/CSA B125.1
EPA Watersense (Hand Shower Only)

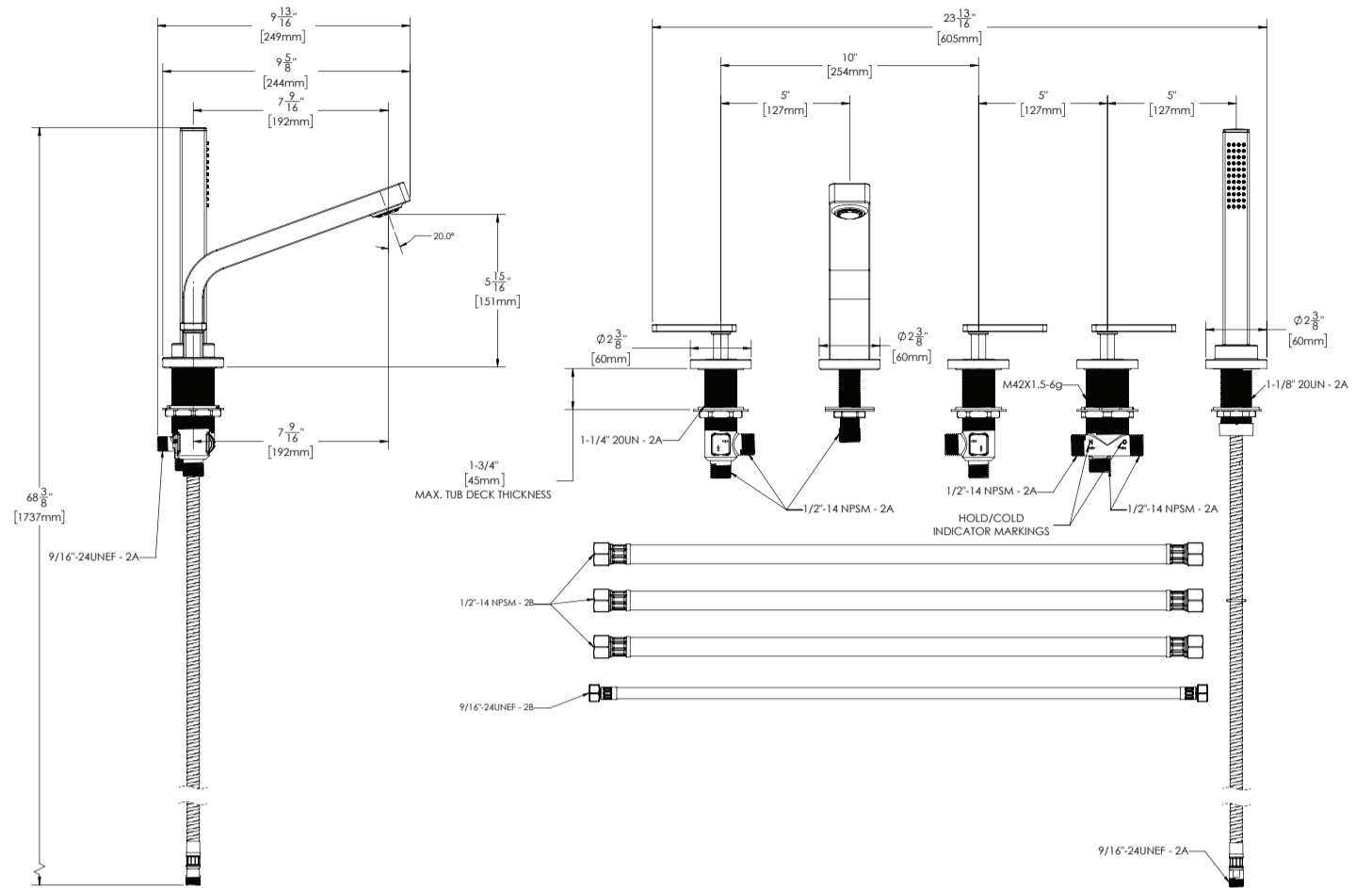
FLOW DATA:

Max. Flow Rate (Hand Shower Only):
1.5 gpm (5.7L/min)

CONNECTIONS:

- Inlets: 1/2" NPSM Male

Contractor to supply necessary inlet connections.



DIMENSIONS SUBJECT TO CHANGE WITHOUT NOTICE.